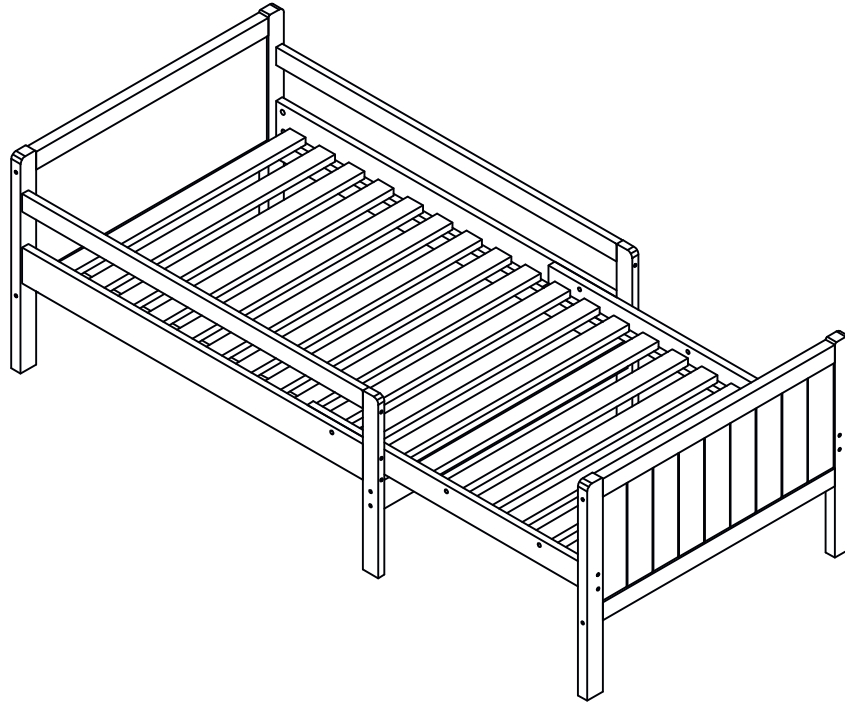
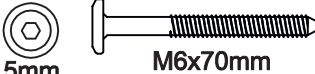





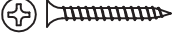
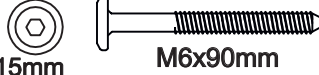
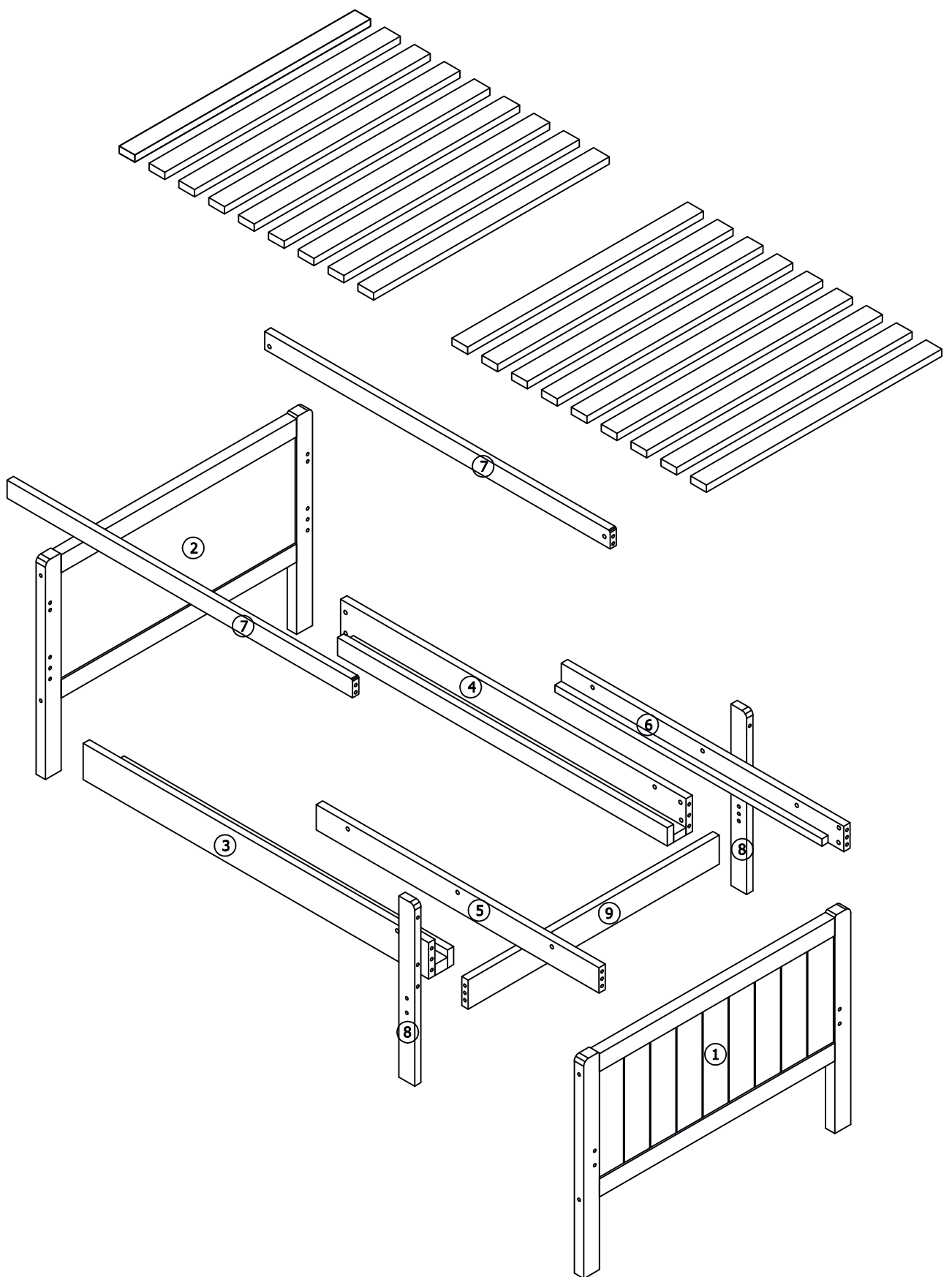


EUNIKA

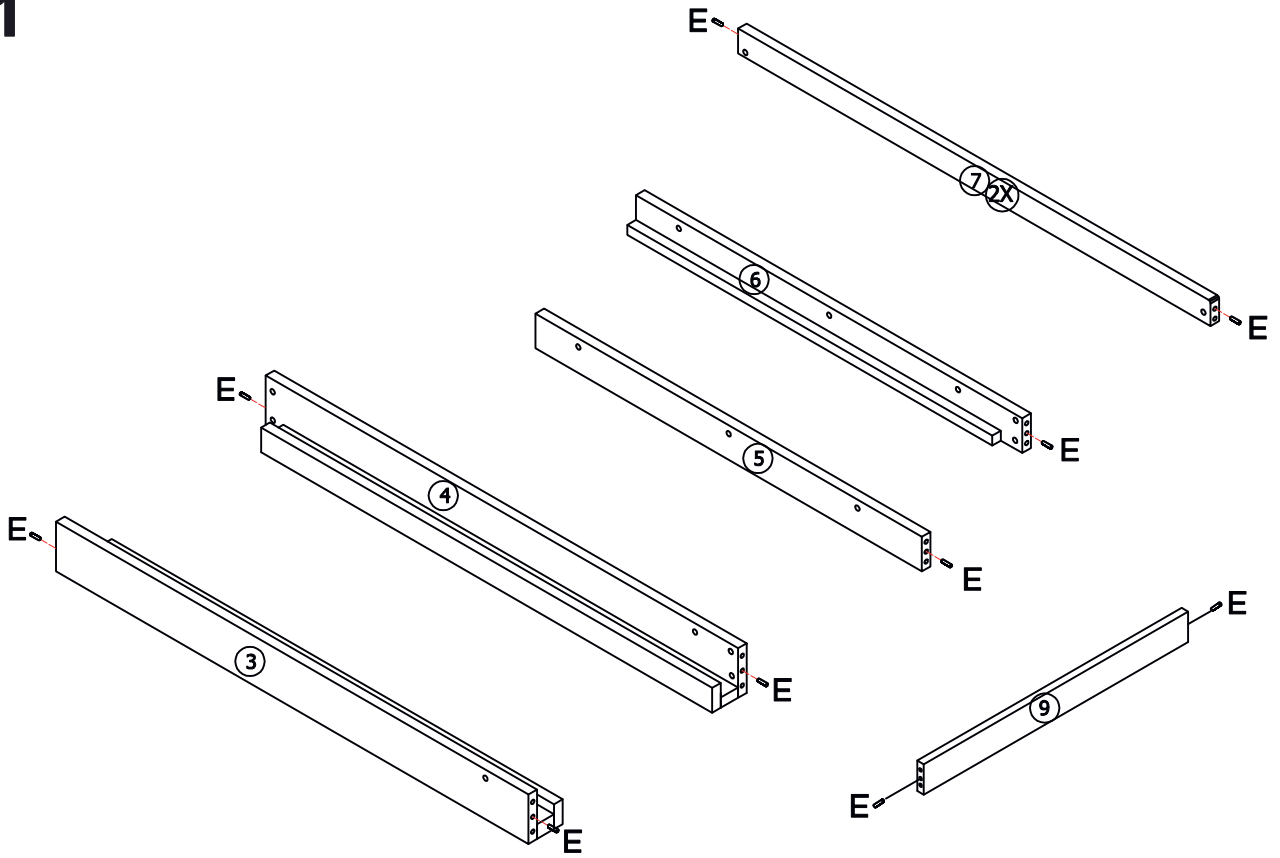



A	 15mm M6x70mm	14
B		20
C	 15mm M6x30mm	02
D	 15mm Ø8x20mm	02

E	 Ø8x30mm	12
F		01
G	 8mm Ø4.5x30mm	36
H	 15mm M6x90mm	06

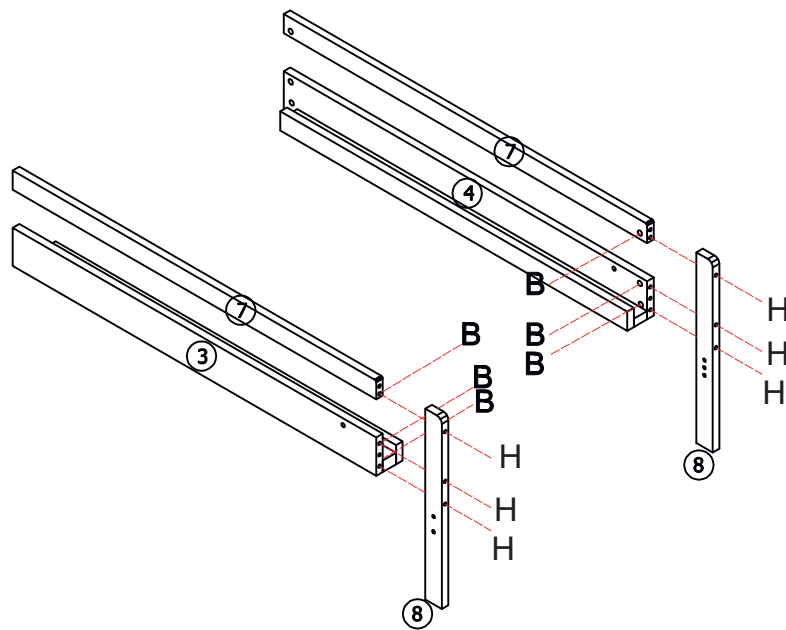




01



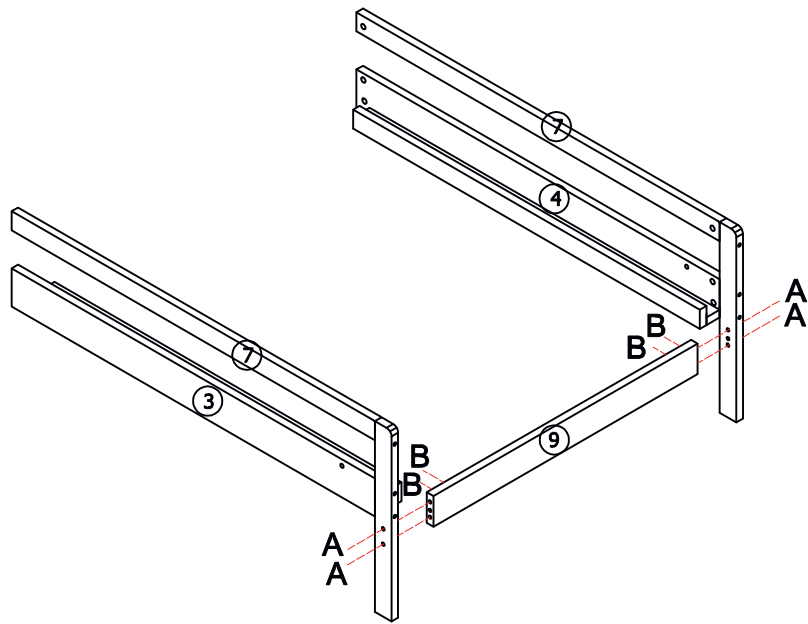
E	 Ø8x30mm	12
---	--	----



02



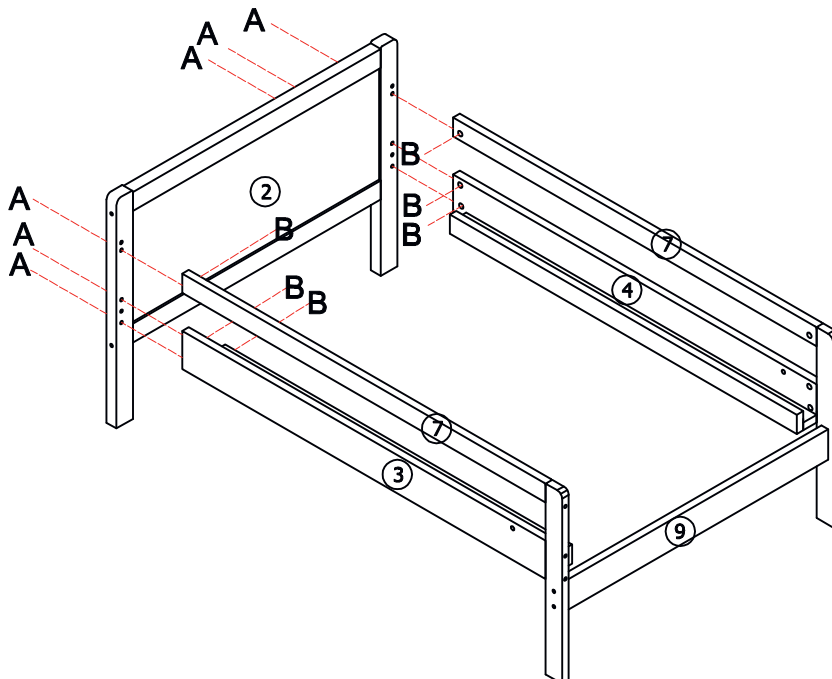
H	 M6x90mm	06
B		06



03



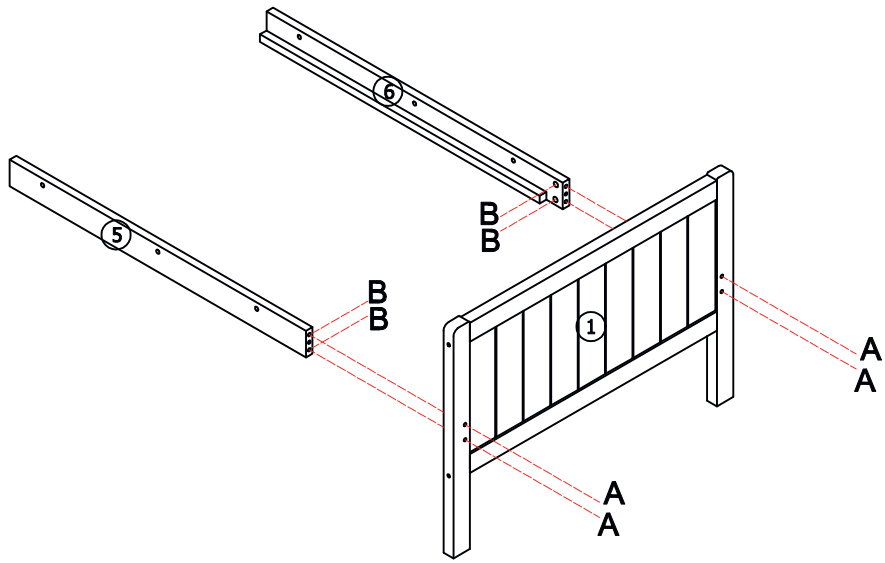
A	 M6x70mm	04
B		04



04



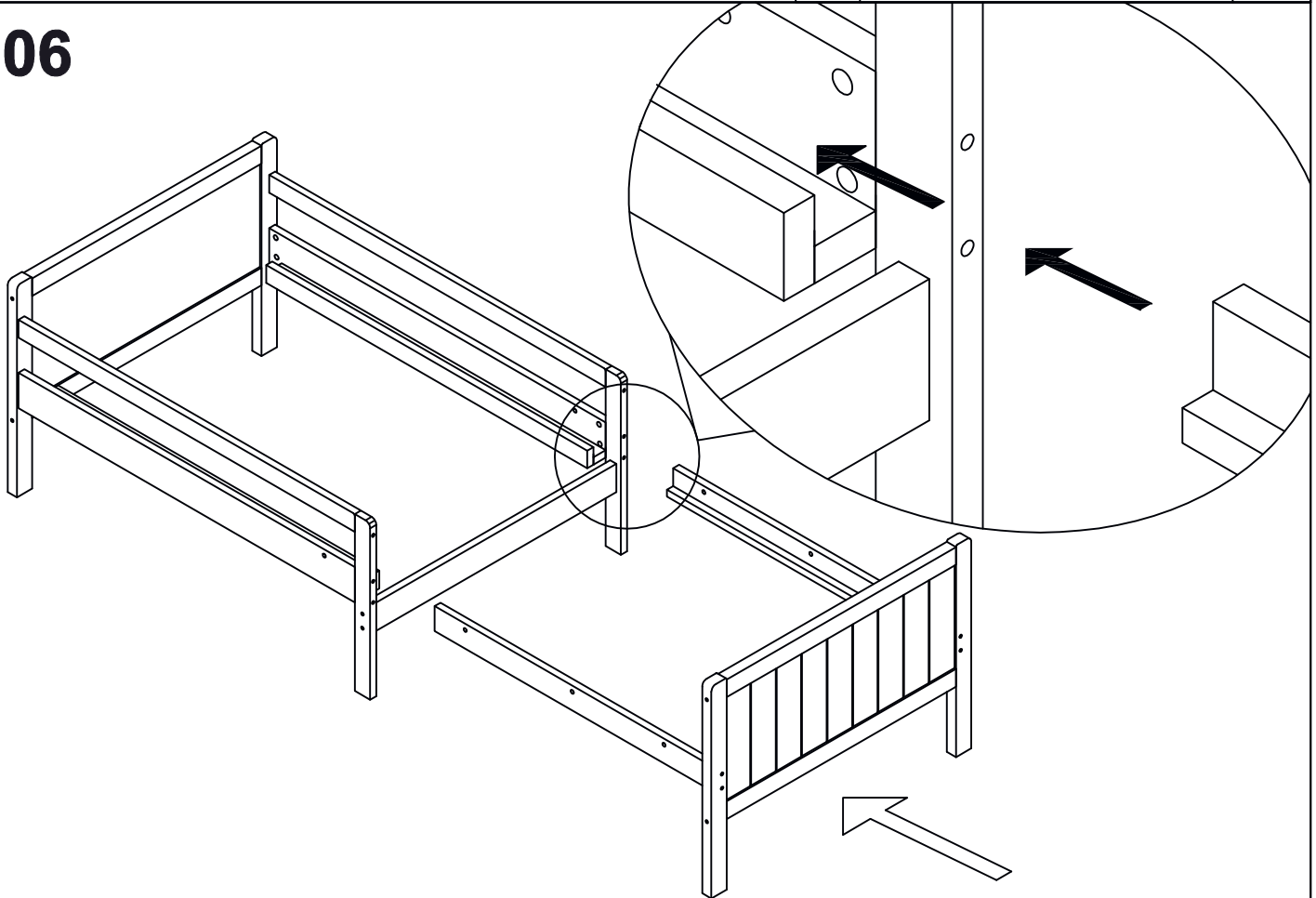
A	 M6x70mm	06
B		06

05

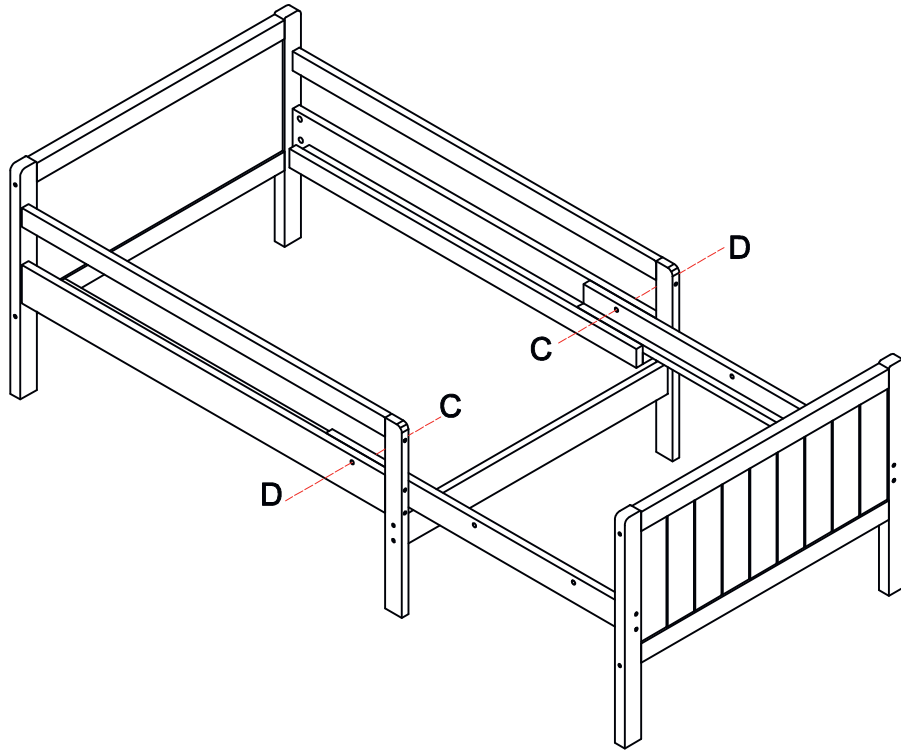






A	 $M6 \times 70mm$	04
B		04

06

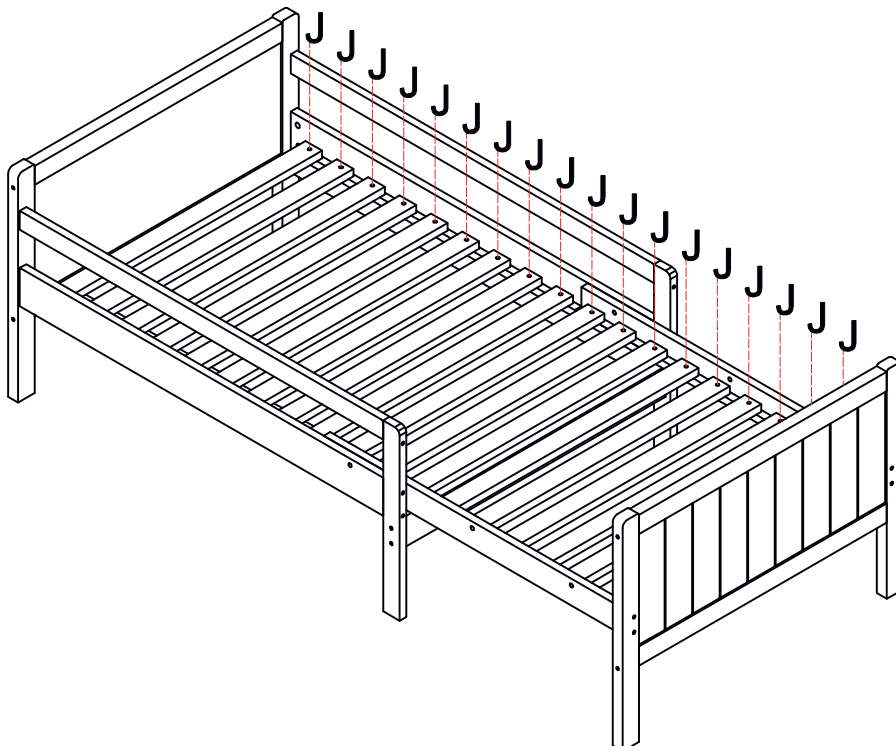



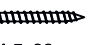
07



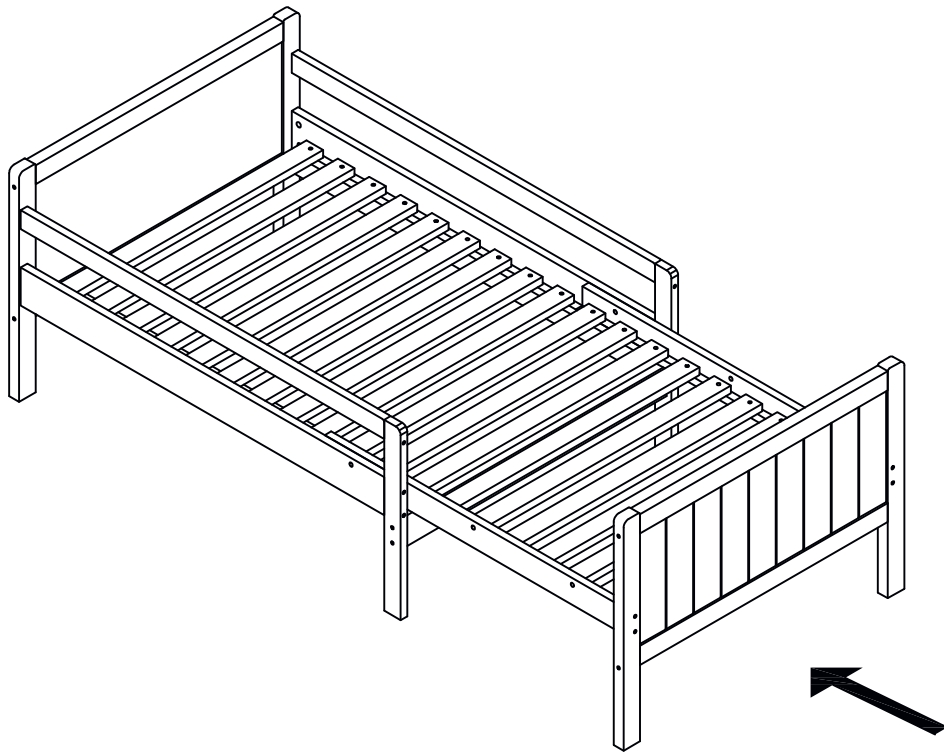
C	 	02
D	 	02

08

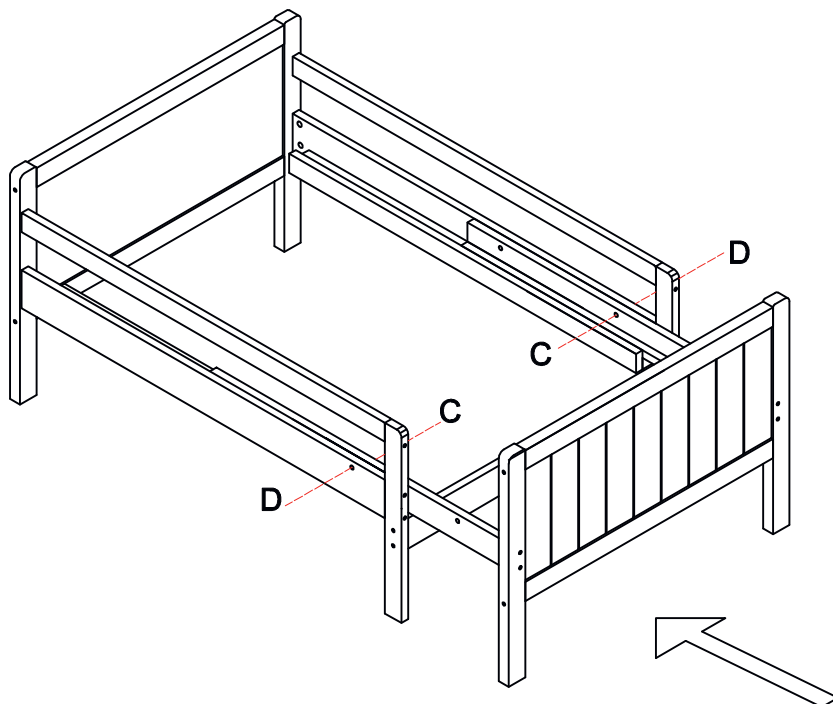


J	 	36
---	---	----

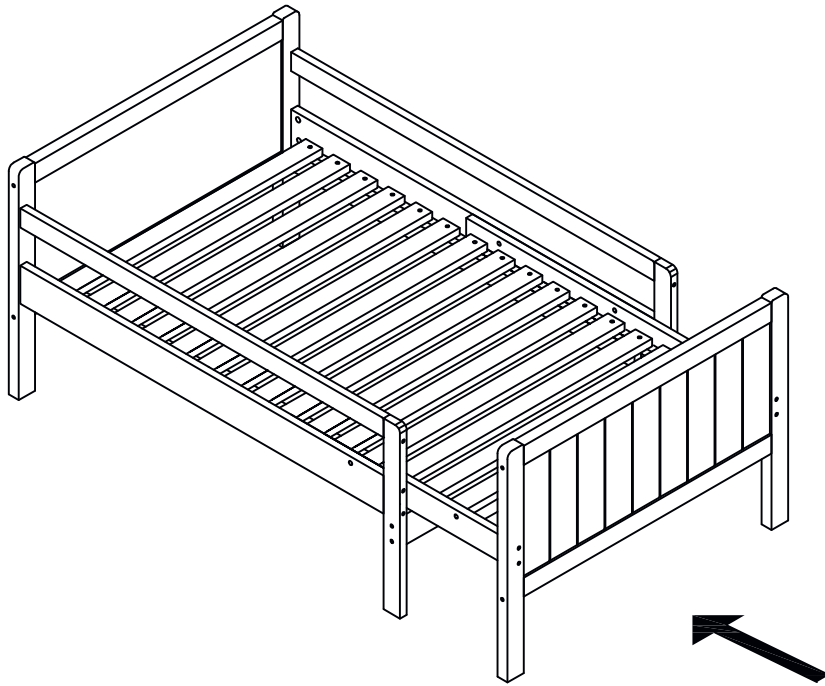
09



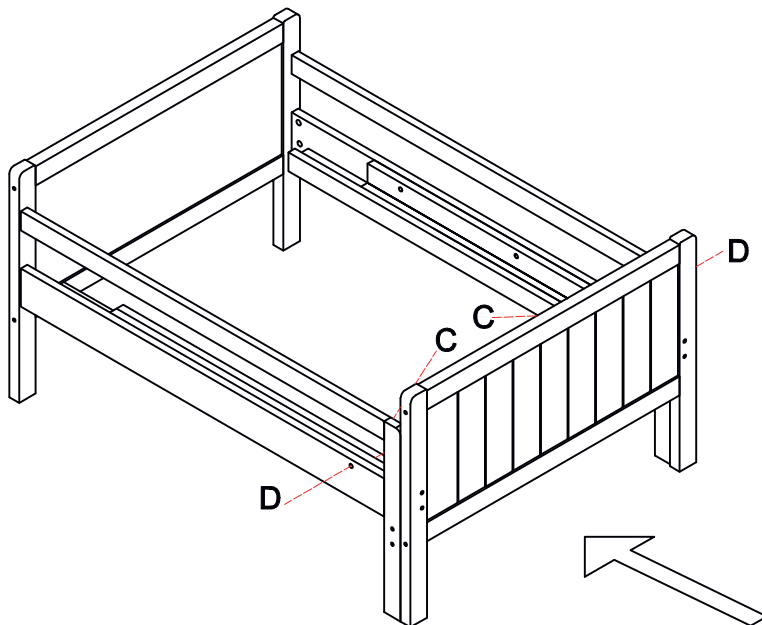
10



11



12



13

